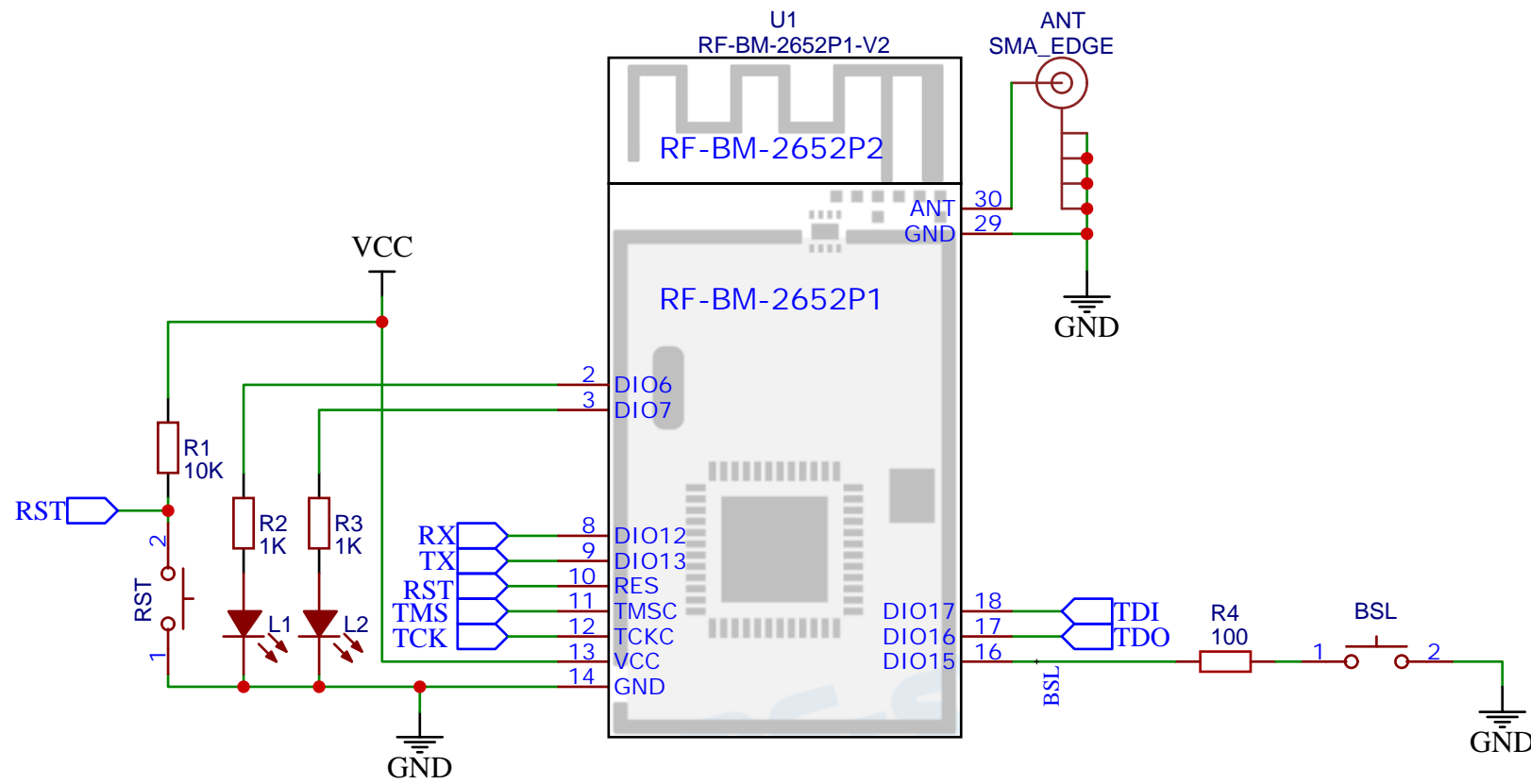
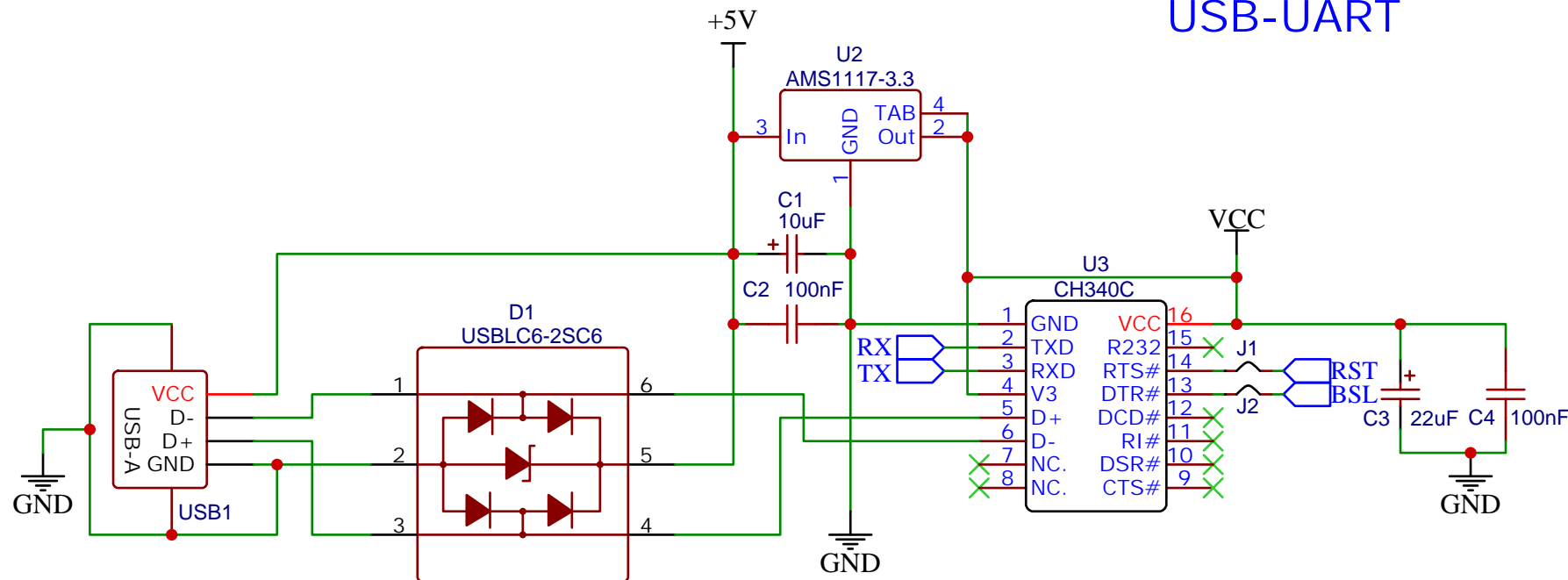


RF-BM-2652P1/P2 MODULE, LED, BUTTONS



USB-UART



DEBUG/PROG INTERFACE

